

Focused Ultraviolet Germicidal Light for the Most Effective Control of Airborne Pathogens

- Used in combination with Dynamic Air Cleaners for unique, “catch, hold, kill” control of airborne biologicals
- Oscillating parabolic reflector focuses high intensity UVC light onto and deep into the air cleaner media pads to ensure the proximity and contact time needed to inactivate molds, bacteria, and viruses
- Upstream shroud shields the lamp from dust and contaminants in the airstream, keeping the lamp clean and at maximum intensity
- Patented scanning sweep reduces the number of lamps required for effective control
- One-year 9000 hour lamps
- Available in 21”, 24” and 33” length
- Limited 5 year warranty includes electronics
- Certified to CSA Standard C22.2, listed under UL Standard 1598

The Dynamic Sterile Sweep features a germicidal lamp with an oscillating reflector that kills pathogens collected by the Dynamic Air Cleaners as it slowly oscillates over the filter media surface area. The parabolic reflector provides additional concentration of UVC light. Sterile Sweep high output UVC systems offer the most effective means of controlling airborne pathogens and viruses including COVID-19.

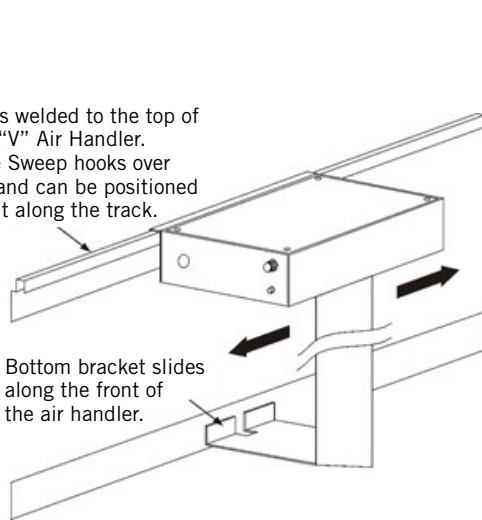
PERFORMANCE DATA

Electrical Input:	115 VAC / 60 Hz
UVC Output (nanometers):	250-260
Power Consumption:	1.75 Amps
Power Consumption at Start Up	2.90 Amps
Lamp - T6 Bulb	800 mA
Fuse - Type	3A / 250V
Weight	12.2 lbs. (5.5kg)
Ozone Generation:	None

Model	Length	Input Power	UV Output	Intensity
GRS2000-21	21 in.	55 Watts	15 watts	139 $\mu\text{W}/\text{cm}^2$
GRS2000-24	24 in.	65 Watts	17 Watts	160 $\mu\text{W}/\text{cm}^2$
GRS2000-31	33 in.	83 Watts	26 Watts	245 $\mu\text{W}/\text{cm}^2$

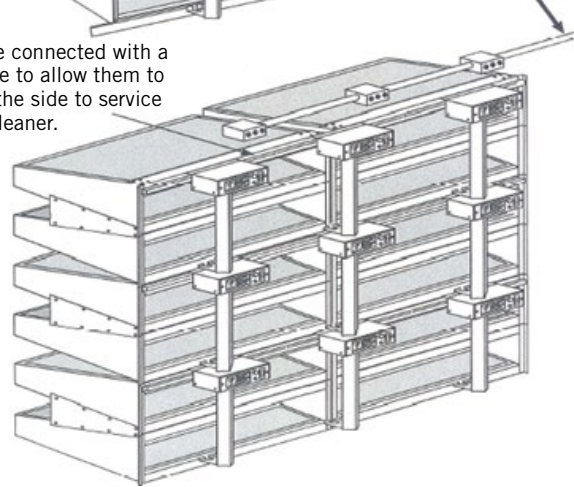
The track is welded to the top of the Super "V" Air Handler. The Sterile Sweep hooks over the track, and can be positioned by sliding it along the track.

Bottom bracket slides along the front of the air handler.



Units are connected with a flex cable to allow them to slide to the side to service the air cleaner.

Power to Sterile Sweep Germicidal Units must go through an interlock switch on the chamber door. This will ensure the units are off when the chamber is entered.



Specifications for Sterile Sweep UVC Emitter

- 1.0 **General:** The germicidal air purification system shall consist of UVC emitters that employ an oscillating parabolic reflector to focus the intensity of the light onto the air cleaner filter media.
- 1.1 **General:** UVC emitters shall be installed downstream of the coils.
- 1.2 **Certifications:** The units shall be tested and meet UL Standards 1995 and 1570.
- 1.3 **Operation:** Each emitter shall employ an oscillating parabolic reflector in close proximity to the lamp. The sweep of the reflector will be adjustable from 50-130 degrees.
- 1.4 **Construction:** Each emitter shall consist of a housing containing the ballast, reflector motor and interlock switch. Attached to the housing, and upstream of the lamp shall be an aerodynamic shield to push air around the lamp rather than over it. The housing and shield shall be constructed of power-coated, galvanized steel. Each housing shall have an operational indicator light and an "on/off" switch.
- 1.5 **UVC Lamps:** The UVC lamps shall be high output T6 lamps that produce UV light in the 250-260nm range. They shall not produce Ozone.
- 1.6 **Installation:** The emitters shall be installed downstream of the coil. Each unit will be mounted on a bracket or in the ductwork so that the lamp is approximately 4.5" from the vertical edge of the coil.
- 1.7 **Electrical:** Input voltage to the units shall be 120vac. Each unit will draw a peak of 3 amps. Each unit will be equipped with an interlock switch so that power will be cut to the unit if it is removed from the mounting bracket. The overall array shall also be equipped with an interlock switch such that they cannot be accessed with the power on.
- 1.8 **Signage:** All access shall be labeled in accordance with OSHA regulations for UVC devices.
- 1.9 **Warranty:** The UVC emitter shall carry a written (5) Year Limited Warranty on parts. The warranty shall provide that a replacement will be furnished at no charge for any part of the product which fails in normal use and service during the warranty period and shall commence on the date of installation.

